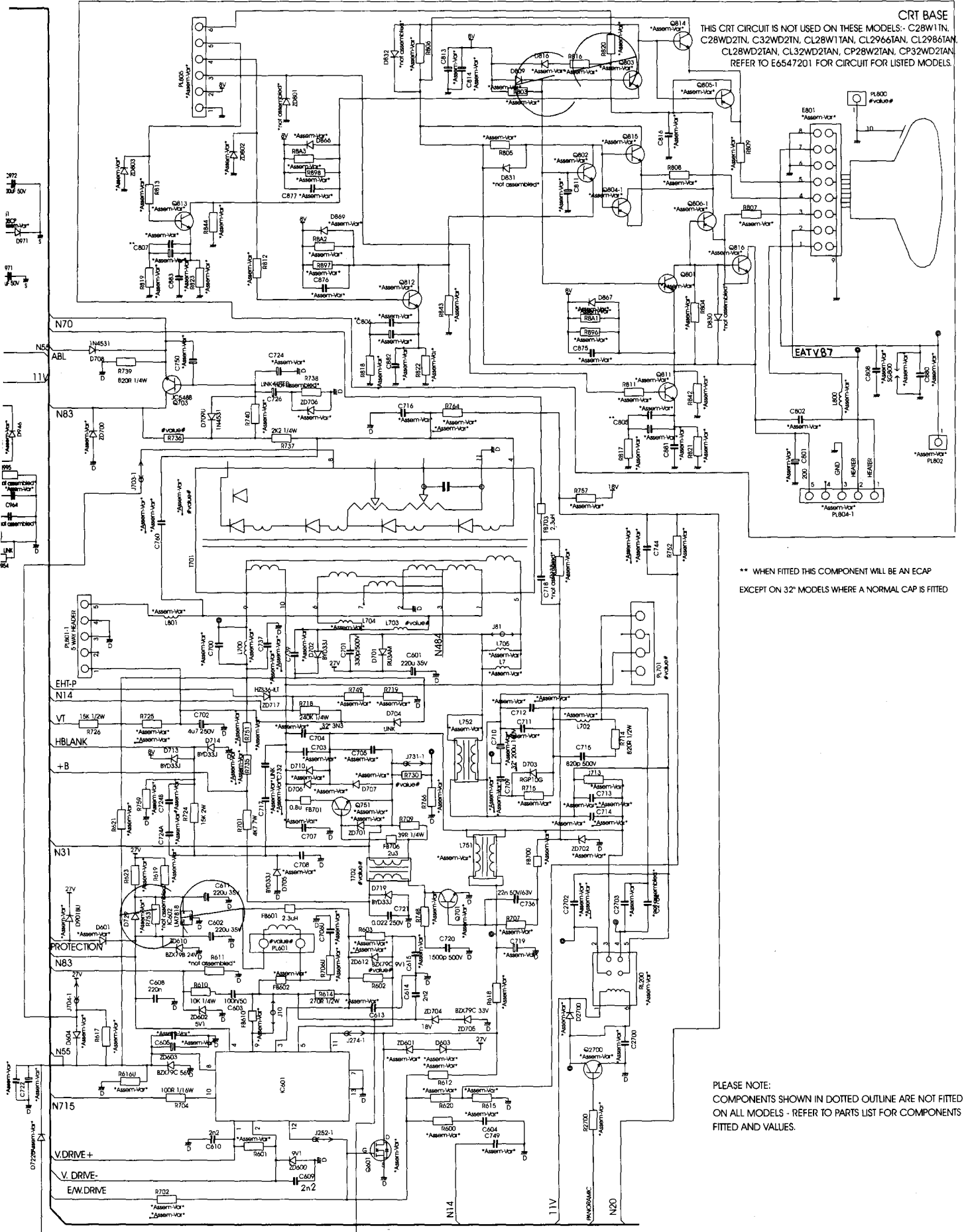


# DEFLECTION CIRCUIT DIAGRAM

CRT BASE

THIS CRT CIRCUIT IS NOT USED ON THESE MODELS: C28W1TN, C28WD2TN, C32WD2TN, CL28W1TAN, CL2966TAN, CL2986TAN, CL28WD2TAN, CL32WD2TAN, CP28W2TAN, CP32WD2TAN. REFER TO E6547201 FOR CIRCUIT FOR LISTED MODELS.



\*\* WHEN FITTED THIS COMPONENT WILL BE AN ECAP EXCEPT ON 32" MODELS WHERE A NORMAL CAP IS FITTED

PLEASE NOTE: COMPONENTS SHOWN IN DOTTED OUTLINE ARE NOT FITTED ON ALL MODELS - REFER TO PARTS LIST FOR COMPONENTS FITTED AND VALUES.